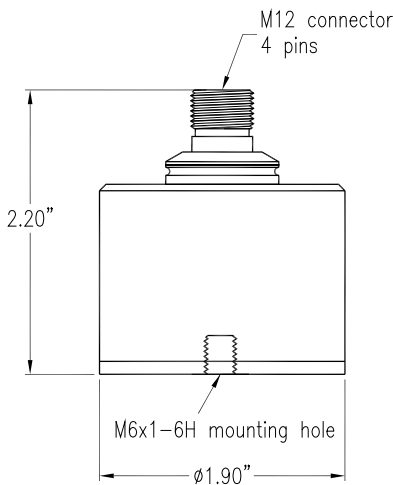
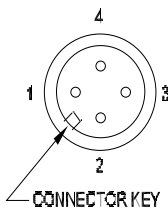




## Wilcoxon Research model 735T Ultra-quiet, ultra low frequency, seismic accelerometer with temperature sensor

### Features

- Ultra high sensitivity
- Ultra low-noise electronics for clear signals at sub micro-g levels
- Low frequency capable
- Low pass filtered to eliminate high frequencies
- Reverse wiring protection



### Dynamic

Accelerometer sensitivity, ±10%, 25°C .....	10 V/g
Acceleration range .....	0.5 g peak
Amplitude nonlinearity .....	1%
Frequency response:	
±3 dB .....	0.01 - 350 Hz
Resonance frequency .....	700 Hz
Transverse sensitivity, max. ....	1% of axial
Temperature response, nom:	
-10°C .....	-20%
0°C .....	-15%
+65°C .....	+50%

### Temperature sensor

RTD resistance at 0°C .....	1000 Ω, ±1%
Class (per DIN 60751) .....	Class A
Alpha value (per DIN 60751) .....	0.003850
Temperature range <sup>3</sup> .....	-50°C to 150°C
Grounding .....	case isolated

### Electrical

Power requirement:	voltage source .....	15 - 30 VDC
	current regulating diode .....	1 - 10 mA
Electrical noise, equiv. g:		
Broadband	2.5 Hz to 25 kHz .....	0.5 µg
Spectral	2 Hz .....	20 ng/VHz
	10 Hz .....	7 ng/VHz
	100 Hz .....	3.5 ng/VHz
Output impedance, max. ....	600 Ω at 1 mA, 100 Ω at 4 mA	
Bias output voltage .....	8 VDC	
Grounding .....	case isolated	

### Environmental

Temperature range .....	-10 to 65°C
Vibration limit, min .....	10 g peak
Shock limit <sup>1</sup> .....	100 g
Sealing .....	hermetic

### Physical

Weight .....	380 grams
Case material .....	316L stainless steel
Mounting .....	M6x1 tapped hole
Output connector .....	4 pin, M12
Mating connector <sup>2</sup> .....	4 or 5 socket, M12

Connector pin	Function
Shell	ground
1	accelerometer power/ signal
2	accelerometer common
3	temperature signal (+)
4	temperature common (-)

Note: <sup>1</sup>Special handling required due to sensitivity, protective container included  
<sup>2</sup>Cable shield must be electrically connected to M12 mating connector threaded nut  
<sup>3</sup>Temperatures in excess of 65°C may permanently damage the accelerometer sensing function  
 Accessories supplied: mounting stud SF6M-1; calibration data (level 3)

**Meggitt Sensing Systems**  
 20511 Seneca Meadows Parkway  
 Germantown, MD 20876  
 USA

Tel: 301 330 8811  
 Fax: 301 330 8873  
 Email: wilcoxon@meggitt.com

www.meggitt.com