

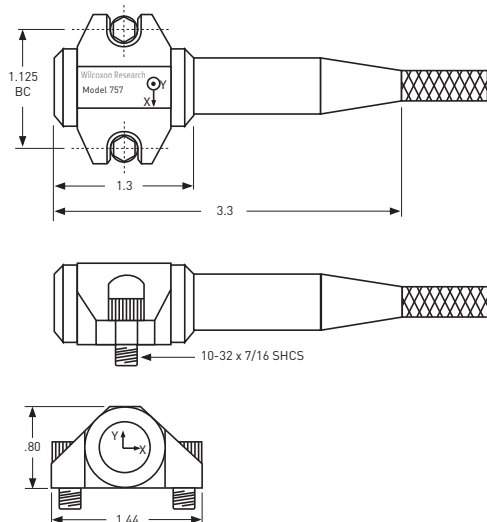


## Wilcoxon Research model 757 Biaxial, low profile, underwater accelerometer



### Features

- Rugged
- General purpose underwater accelerometer
- Industrial
- Easy to mount
- Bi-axial measurements



### Dynamic

Sensitivity, $\pm 10\%$ , 25° C .....	100 mV/g
Acceleration range .....	50 g peak
Amplitude nonlinearity .....	1%
Frequency response:	
Both channels, $\pm 10\%$ .....	2 - 2,000 Hz
Transverse sensitivity, max. ....	5% of axial
Temperature response:	
-20° C .....	-5%
+90° C .....	+5%

### Electrical

Power requirement:	
Voltage source .....	18 - 30 VDC
Current regulating diode .....	2 - 10 mA
Electrical noise, equiv. g, nominal:	
Broadband 2.5 Hz to 25 kHz .....	100 $\mu$ g
Spectral 10 Hz .....	10 $\mu$ g/√Hz
100 Hz .....	1 $\mu$ g/√Hz
1000 Hz .....	0.5 $\mu$ g/√Hz
Output impedance, max. ....	100 $\Omega$
Bias output voltage, nominal. ....	12 VDC
Grounding .....	case isolated, internally shielded

### Environmental

Temperature range .....	-50 to 80° C
Hydrostatic pressure, max. ....	650 psi
Vibration limit .....	500 g peak
Shock limit .....	5000 g peak
Electromagnetic sensitivity, equiv. g. ....	100 $\mu$ g/gauss
Base strain sensitivity .....	0.002 g/ $\mu$ strain

### Physical

Weight .....	110 g
Case material .....	316L stainless steel
Mounting .....	two 10-32 x 7/16 SHCS on 1.125 bolt circle
Recommended cable .....	J81S, 10 ft, stainless steel braid

### Connections

Function	Connector
x	white
y	black
common	shield

Accessories supplied: two 10-32 x 7/16 SHCS; calibration data  
 Accessories available: power supplies, amplifiers, signal conditioners

Meggitt Sensing Systems  
 20511 Seneca Meadows Parkway  
 Germantown MD 20876  
 USA

Tel: 301 330 8811  
 Fax: 301 330 8873  
 Email: wilcoxon@meggitt.com

www.wilcoxon.com  
 www.meggitt.com

**MEGGITT**  
 smart engineering for  
 extreme environments  
 98129 Rev.B.4 11/11