



Wilcoxon Research model ED-786A TEDS general purpose accelerometer

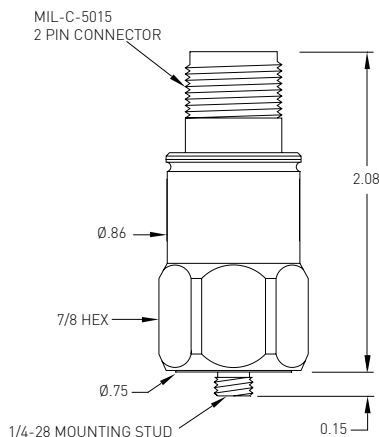


Features

- Contains transducer electronic data sheet (IEEE 1451 - TEDS)
- Self-identifying
- Corrosion resistant
- Ground isolated
- Rugged design
- Hermetic seal
- ESD protection
- Reverse wiring protection

Benefits

- Simplifies troubleshooting
- Reduces safety risks - no more climbing on machines to verify connections
- Reduces costs for set-up and tear-down
- No need to recalibrate replacement units - data acquisition system will recalibrate itself
- Designed to integrate with wireless transmitters and receivers
 - eliminates long cables
 - reduces installation, maintenance and upgrade costs of measurement and control systems



Dynamic

Sensitivity, 25° C, ± 5%.....	100 mV/g
Acceleration range	80 g peak
Amplitude nonlinearity.....	1%
Frequency response:	
± 5%.....	3 - 5,000 Hz
± 10%.....	1 - 9,000 Hz
± 3 dB	0.5 - 14,000 Hz
Resonance frequency.....	30 kHz
Transverse sensitivity, max.....	5% of axial
Temperature response.....	
-50° C.....	-5%
+120° C.....	+5%

Electrical

Power requirement:	
Voltage source	18 - 30 VDC
Current regulating diode	2 - 10 mA
Electrical noise, equiv. g:	
Broadband 2.5 Hz to 25 kHz	700 µg
Spectral 10 Hz.....	10 µg/√Hz
100 Hz.....	5 µg/√Hz
1000 Hz.....	5 µg/√Hz
Output impedance, max.....	100 Ω
Bias output voltage	12 VDC
Grounding.....	case isolated, internally shielded

Environmental

Temperature range ¹	-50 to 120° C
Vibration limit.....	500 g peak
Shock limit	5,000 g peak
Electromagnetic sensitivity, equiv. g, max	70 µg/gauss
Sealing	hermetic
Base strain sensitivity, max.	0.0002 g/µstrain

Physical

Sensing element design.....	PZT, shear
Weight.....	95 g
Case material	316L stainless steel
Mounting	1/4-28 UNF tapped hole
Output connector	2 pin, MIL-C-5015 style
Mating connector	R6 type
Recommended cabling	J10 / J9T2A

Connections

Function	Connector pin
ground	shell
power / signal	A
common	B

Notes: ¹Temperature range is limited to -40 to 85° C when using the IEEE 1451 - TEDS function.
Accessories supplied: SF6 mounting stud (International customers specify mounting requirements); TEDS calibration data

Meggitt Sensing Systems
20511 Seneca Meadows Parkway
Germantown MD 20876
USA

Tel: 301 330 8811
Fax: 301 330 8873
Email: wilcoxon@meggitt.com

www.wilcoxon.com
www.meggitt.com

MEGGITT
smart engineering for
extreme environments

98830 Rev.A.3 05/12

