

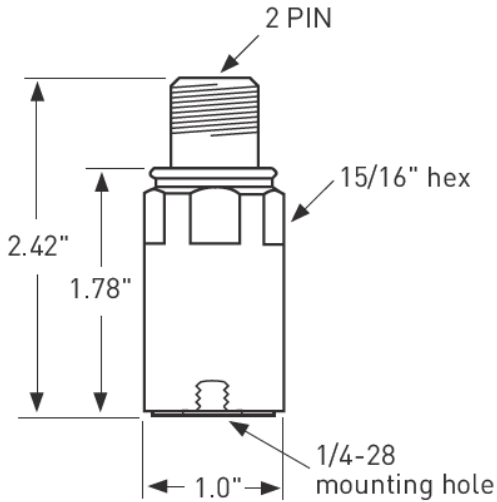
TEDS premium PiezoFET® accelerometer

ED-793



Benefits

- Simplifies troubleshooting
- Reduces safety risks - no more climbing on machines to verify connections
- Reduces costs for set-up and tear-down
- No need to recalibrate replacement units - data acquisition system will recalibrate itself
- Designed to integrate with wireless transmitters and receivers
 - eliminates long cables
 - reduces installation, maintenance and upgrade costs of measurement and control systems



Function	Connector pin	Cable conductor color
ground	shell	shield
power/signal	A	white
common	B	black

Note: Due to continuous process improvement, specifications are subject to change without notice. This document is cleared for public release.

Key features

- Contains transducer electronic data sheet (IEEE 1451 - TEDS)
- Self-identifying
- Corrosion resistant
- Ground isolated
- Rugged design
- Hermetically sealed
- ESD protection
- Reverse wiring protection

Certifications



Wilcoxon Sensing Technologies
20511 Seneca Meadows Parkway
Germantown, MD 20876
info@wilcoxon.com

Tel: (301) 330 8811
Fax: (301) 330 8873
www.wilcoxon.com

Wilcoxon Sensing Technologies
An Amphenol Company

TEDS premium PiezoFET® accelerometer

ED-793



SPECIFICATIONS

Sensitivity, ±5%, 25° C		100 mV/g
Acceleration range		80 g peak
Amplitude nonlinearity		1%
Frequency response	± 5%	1.5 - 5,000 Hz
	± 10%	1.0 - 7,000 Hz
	± 3 dB	0.5 - 15,000 Hz
Resonance frequency		25 kHz
Transverse sensitivity, max		5% of axial
Temperature response	-50° C	-10%
	+120° C	+5%
Voltage source		18 - 30 VDC
Current regulating diode		2 - 10 mA
Electrical noise, equiv. g		
Broadband	2.5 Hz to 25 kHz	600 µg
Spectral	10 Hz	8 µg/√Hz
	100 Hz	5 µg/√Hz
	1000 Hz	5 µg/√Hz
Output impedance, max		100 Ω
Bias output voltage		12 VDC
Grounding		case isolated, internally shielded
Temperature range¹		-50 to +120° C
Vibration limit		500 g peak
Shock limit		5,000 g peak
Sealing		hermetic
Base strain sensitivity		0.0005 g/µstrain
Sensing element design		PZT ceramic / compression
Weight		117 grams
Case material		316L stainless steel
Mounting		1/4-28 tapped hole
Output connector		2 pin, MIL-C-5015 style
Mating connector		R6 type
Recommended cabling		J10 / J9T2A

Contact

Wilcoxon Sensing
Technologies

20511 Seneca Meadows Parkway
Germantown MD 20876, USA

Tel: +1 301 330 8811
Fax: +1 301 330 8873

info@wilcoxon.com

www.wilcoxon.com

Accessories supplied:

- TEDS calibration data
- SF6 mounting stud (international customers specify mounting requirements)

Notes: ¹ Temperature range is limited to -40°C to +85°C when using the IEEE 1451 - TEDS function.

Note: Due to continuous process improvement, specifications are subject to change without notice.
This document is cleared for public release.

Wilcoxon Sensing Technologies
20511 Seneca Meadows Parkway
Germantown, MD 20876 USA
info@wilcoxon.com

Tel: (301) 330 8811
Fax: (301) 330 8873
www.wilcoxon.com

Wilcoxon Sensing Technologies
An Amphenol Company