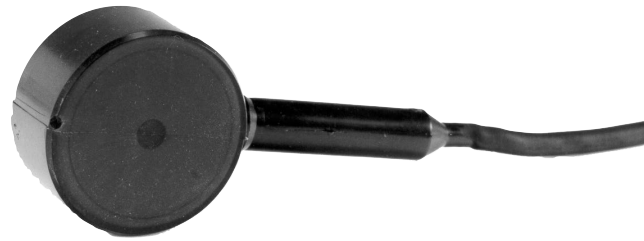


General purpose, self-amplified hydrophone

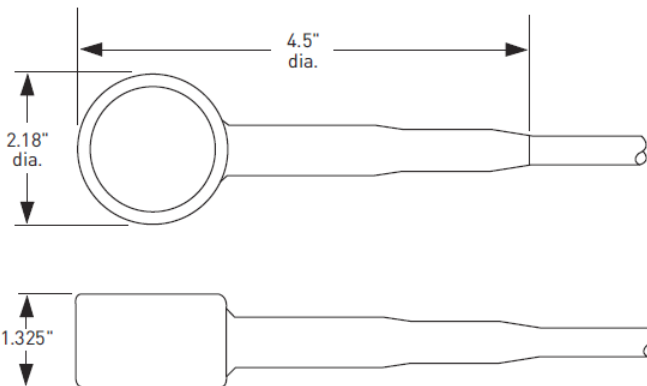
H505L



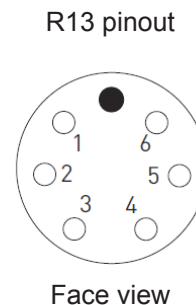
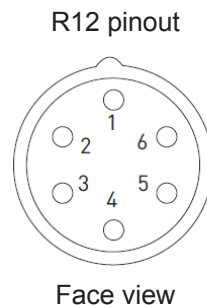
The H505L hydrophone is designed as a small, versatile, self-amplified hydrophone for general purpose applications to a wide variety of underwater acoustic measurements. Ruggedness, low cost and an ultra low-noise internal amplifier are prime features of this unit. The internal amplifier eliminates triboelectric cable noise, connector contamination problems and the requirement for an expensive in-line amplifier.

The hydrophone and cable entry are completely encapsulated in polyurethane. This alleviates water intrusion caused by cathodic action. The assembly uses pre-aged piezoelectric (PZT) sensing elements.

Applications for the H505L include underwater biological studies, ship noise studies, pump and machinery studies and monitoring of underwater ordnance.



Cable color	Function	Connector pin out
shield	case	1
black	common	2
red	B+, signal out	3
green	N.C.	4
white	N.C.	5
yellow	N.C.	6



Key features

- Rugged design
- Low cost
- Ultra low-noise internal amplifier
- Manufactured in an approved ISO 9001 facility

Export Classification:
ECCN 6A001

Note: Due to continuous process improvement, specifications are subject to change without notice. This document is cleared for public release.

Wilcoxon Sensing Technologies
20511 Seneca Meadows Parkway
Germantown, MD 20876
info@wilcoxon.com

Tel: (301) 330 8811
Fax: (301) 330 8873
www.wilcoxon.com

Wilcoxon Sensing Technologies
An Amphenol Company

General purpose, self-amplified hydrophone

H505L

SPECIFICATIONS

Output sensitivity		-160 dB re 1V/ μ Pa
Amplifier gain		10 dB
Typical spectrum noise	at 10 Hz	54 dB re 1 μ Pa/ \sqrt Hz
	at 100 Hz	34 dB re 1 μ Pa/ \sqrt Hz
	at 1 kHz	15 dB re 1 μ Pa/ \sqrt Hz
	at 10 kHz	6 dB re 1 μ Pa/ \sqrt Hz
Frequency response	\pm 3 dB	2.0 - 10,000 Hz
	Omnidirectional	2.0 - 5,000 Hz
Maximum operating depth		250 meters
Maximum temperature		80° C
Output impedance		200 Ω
Supply voltage		24 VDC
Current, max		10 mA
Bias output voltage, nominal		10 V
Cable		J95, 5-conductor, shielded, 0.25" diameter, length specified by customer at time of order
Jacket material		polyurethane

Contact

Wilcoxon Sensing Technologies

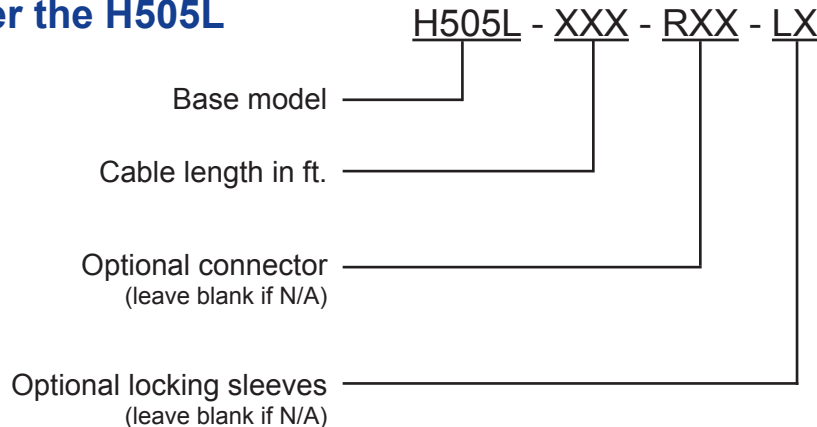
20511 Seneca Meadows Parkway
Germantown, MD 20876 USA

Tel: +1 301 330 8811
Fax: +1 301 330 8873

info@wilcoxon.com

www.wilcoxon.com

How to order the H505L



Available connectors:

- R12 underwater connector (Brantner RMK-6-MP)
- R13 underwater connector (Brantner AWM-6-MP)

Available locking rings:

- LP = plastic locking sleeve for R12 or R13
- LS = stainless steel locking sleeve for R12 or R13

Note: Due to continuous process improvement, specifications are subject to change without notice.
This document is cleared for public release.

Wilcoxon Sensing Technologies
20511 Seneca Meadows Parkway
Germantown, MD 20876 USA
info@wilcoxon.com

Tel: (301) 330 8811
Fax: (301) 330 8873
www.wilcoxon.com

Wilcoxon Sensing Technologies
An Amphenol Company