

VibraLINK® Lite enclosures

Switchable junction boxes



Standard model: 6-12 channels

VibraLINK® Lite switchboxes (VLL) handle up to 48 inputs of standard IEPE sensors. Flexible design enables a single board to be configured for 6 or 12 channels. NEMA 4/4X rated enclosures are available in stainless steel to meet the requirements for food processing or fiberglass for most industrial applications. VibraLINK enclosures come standard with pre-drilled access holes for easy cable entry and exit with user-selected cable grips or conduits.

A BNC connector is included for compatibility with most popular data collectors, including the MachineryMate 800 meter. VL enclosures enable machinery health monitoring from a safe location, streamlining walkaround collection and reducing long cable costs.

Key features

- Up to 48 channels
- 55% more internal space
- Low cost
- Durable and built to last
- Lifetime warranty
- BNC connector
- For use with all IEPE sensors
- Manufactured in an approved ISO 9001 facility

Certifications



Expandable model: 12-48 channels

Note: Due to continuous process improvement, specifications are subject to change without notice. This document is cleared for public release.

Wilcoxon Sensing Technologies
20511 Seneca Meadows Parkway
Germantown, MD 20876 USA
info@wilcoxon.com

Tel: (301) 330 8811
Fax: (301) 330 8873
www.wilcoxon.com

Wilcoxon Sensing Technologies
An Amphenol Company

VibraLINK® Lite enclosures

Switchable junction boxes

SPECIFICATIONS

Hardware		
Channels, user selected		6, 12, 24, 36, 48
Output connector		BNC
Material, user selected		fiberglass or stainless steel
Dimensions		10x8x4 in, 6-12 channels (non-expandable) 20x16x8 in, 12-48 channels (expandable)
Hinge		stainless steel continuous weld
Latch		stainless steel butterfly knob
Cable interface, user selected		cable grips or conduit
Terminal block connectors		3 positions per channel
Rating	fiberglass	NEMA 4X/IP66
	steel	NEMA 4/IP66
Mounting		Pole or wall mountable using four-corner stainless steel feet (fiberglass model includes configurable feet)
Sensor support		IEPE
Channel selector		12 position dial switch, differential switching

Contact

Wilcoxon Sensing Technologies

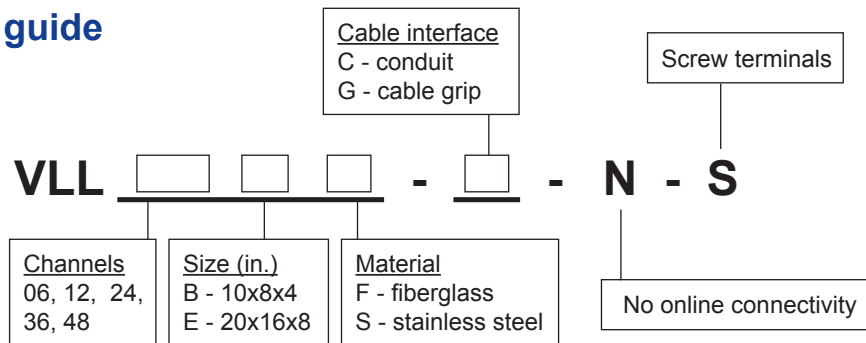
20511 Seneca Meadows Parkway
Germantown, MD 20876, USA

Tel: +1 301 330 8811
Fax: +1 301 330 8873

info@wilcoxon.com

www.wilcoxon.com

Ordering guide



Example:

VLL06BF-G-N-S: 6-channel switchbox, 10x8x4 in. fiberglass enclosure with cable grip option

Note: Due to continuous process improvement, specifications are subject to change without notice. This document is cleared for public release.

Accessories supplied:

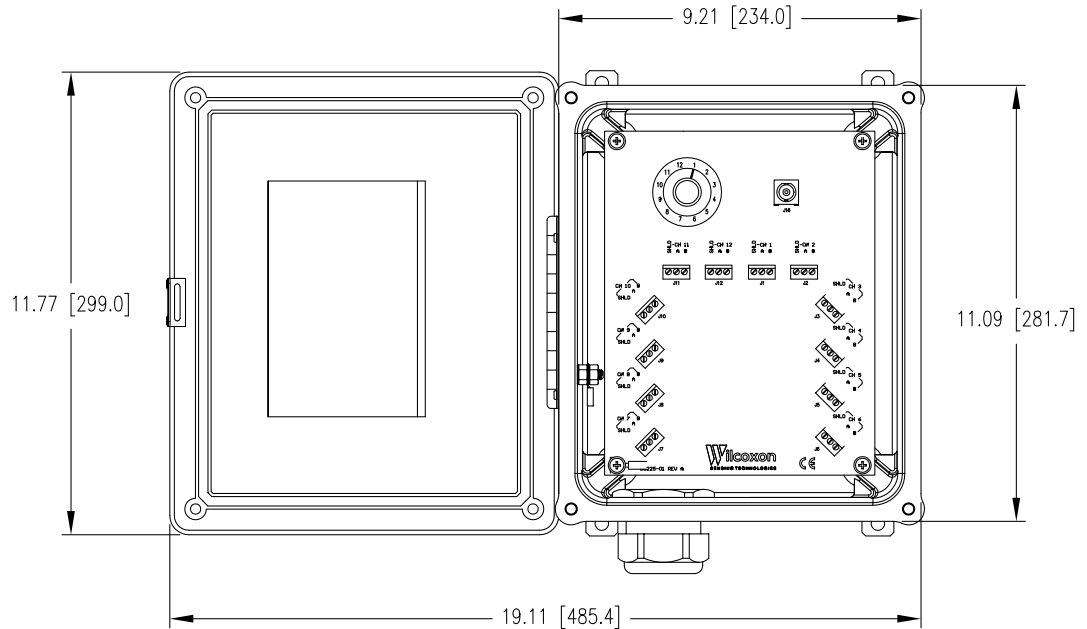
- Transducer location log
- Mounting feet
- Grounding lug
- Cable grip plugs (based on model ordered)

VibraLINK® Lite enclosures

Switchable junction boxes

Drawings

Base size 6-12 channels



Expandable size 12-48 channels

