

# High frequency accelerometers

## 732A and 732AT

### SPECIFICATIONS

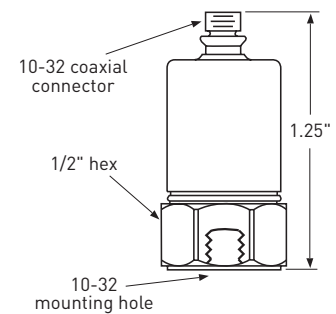
<b>Sensitivity, <math>\pm 5\%</math>, 25°C</b>		10 mV/g
<b>Acceleration range</b>		500 g peak
<b>Amplitude nonlinearity</b>		1%
<b>Frequency response:</b>		
	$\pm 5\%$	2.0 - 15,000 Hz
	$\pm 3$ dB	0.5 - 25,000 Hz
<b>Resonance frequency</b>		60 kHz
<b>Transverse sensitivity, max</b>		7% of axial
<b>Temperature response:</b>		
	-50°C	-10%
	+120°C	+5%
<b>Power requirement:</b>		
Voltage source		18 - 30 VDC
Current regulating diode		2 - 10 mA
<b>Electrical noise, equiv. g:</b>		
Broadband	2.5 Hz to 25 kHz	200 $\mu$ g
Spectral	10 Hz	20 $\mu$ g/ $\sqrt{\text{Hz}}$
	100 Hz	3 $\mu$ g/ $\sqrt{\text{Hz}}$
	1,000 Hz	2 $\mu$ g/ $\sqrt{\text{Hz}}$
	10,000 Hz	2 $\mu$ g/ $\sqrt{\text{Hz}}$
<b>Output impedance, max</b>		100 $\Omega$
<b>Bias output voltage</b>		10 VDC
<b>Grounding</b>		case grounded
<b>Temperature range</b>		-50° to +120°C
<b>Vibration limit</b>		500 g peak
<b>Shock limit</b>		5,000 g peak
<b>Electromagnetic sensitivity, equiv. g</b>		100 $\mu$ g/gauss
<b>Base strain sensitivity</b>		0.005 g/ $\mu$ strain
<b>Sensing element design</b>		PZT ceramic / compression
<b>Weight</b>		13 grams
<b>Case material</b>		316L stainless steel
<b>Mounting</b>		10-32 tapped hole
<b>Output connector</b>		10-32 coaxial
<b>Mating connector</b>		R1
<b>Recommended cabling</b>		J93

Accessories supplied: SF1 mounting stud (metric mounting available); calibration data (level 3)

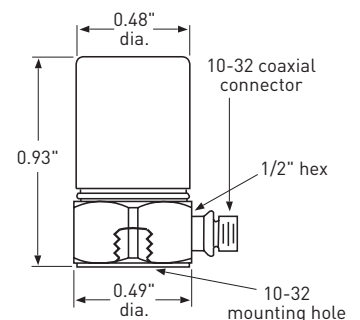


### Key features

- Compact size
- Wide dynamic range
- Manufactured in ISO 9001 facility



Model 732AT



Model 732A



Note: Due to continuous process improvement, specifications are subject to change without notice. This document is cleared for public release.

Connections	
Function	Connector pin / cable conductor
power/signal	pin / center
common	shell / shield