

Underwater accelerometer

746

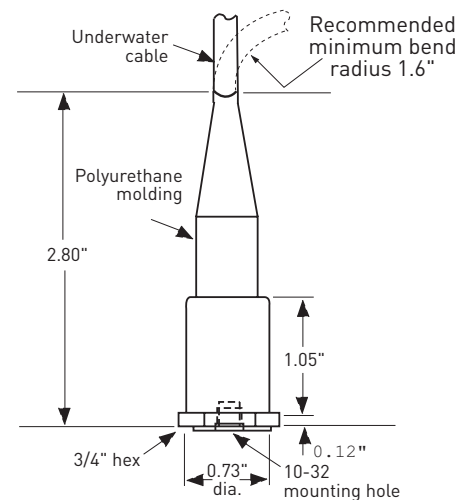
SPECIFICATIONS

Sensitivity, $\pm 5\%$, 25°C		100 mV/g
Acceleration range¹		80 g peak
Amplitude nonlinearity		1%
Frequency response:	± 1 dB	2 - 8,000 Hz
	± 3 dB	1 - 15,000 Hz
Resonance frequency, mounted, nominal		30 kHz
Transverse sensitivity, max		5% of axial
Temperature response:	-50°C	-10%
	+80°C	+4%
Power requirement:		
Voltage source		18 - 30 VDC
Current regulating diode ¹		2 - 10 mA
Electrical noise, equiv. g, nominal:		
Broadband	2.5 Hz to 25 kHz	50 μ g
Spectral	10 Hz	10 μ g/ $\sqrt{\text{Hz}}$
	100 Hz	0.8 μ g/ $\sqrt{\text{Hz}}$
	1,000 Hz	0.2 μ g/ $\sqrt{\text{Hz}}$
Output impedance, max		100 Ω
Bias output voltage		10, ± 2 VDC
Grounding		isolated
Hydrostatic pressure		650 psi
Temperature range		-50° to +80°C
Vibration limit		500 g peak
Shock limit		5,000 g peak
Base strain sensitivity		0.005 g/ μ strain
Dynamic weight		45 grams
Case material		titanium
Mounting		10-32 tapped hole
Integral cabling		J6, 10 ft.



Key features

- High pressure rating
- Wide frequency range
- Manufactured in ISO 9001 facility



Notes: ¹ To minimize the possibility of signal distortion when driving long cables with high vibration signals, 24 to 30 VDC powering is recommended. The higher level constant current source should be used when driving long cables.

Accessories supplied: SF1 mounting stud; calibration data

Pin assignments		Face side 1 6 2 5 3 4 R13 Connector (Seacon AWM-6-MP)
Pin #	Cable	
1	NC	
2	shield/common	
3	NC	
4	NC	
5	B+/signal	
6	NC	

Connections	
Function	Connector
power/signal	center
common	shield

Note: Due to continuous process improvement, specifications are subject to change without notice. This document is cleared for public release.