

# Switchable junction boxes

## VLL series

Wilcoxon's VLL enclosures are a cost-effective solution where simplicity of design fulfills your requirements. With many of the same configurable features of VLS and VLD models, the VLL can be tailored to a variety of industrial applications.

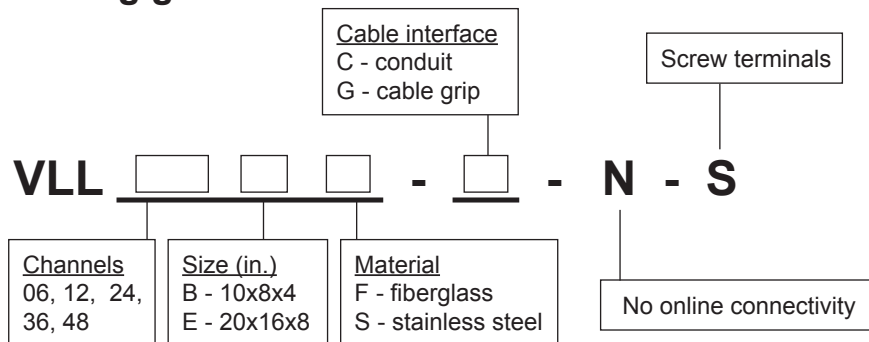


Expandable size (12-48 channels)



Standard size (6-12 channels)

### Ordering guide



Example:

**VLL06BF-G-N-S:** 6-channel switchbox, 10x8x4 in. fiberglass enclosure with cable grip option

### Key features

- Up to 48 channels
- Available in base or expandable size
- BNC connector for compatibility with data collectors
- Supports all IEPE sensors
- Manufactured in an approved ISO 9001 facility

### Certifications



Note: Due to continuous process improvement, specifications are subject to change without notice. This document is cleared for public release.

# Switchable junction boxes

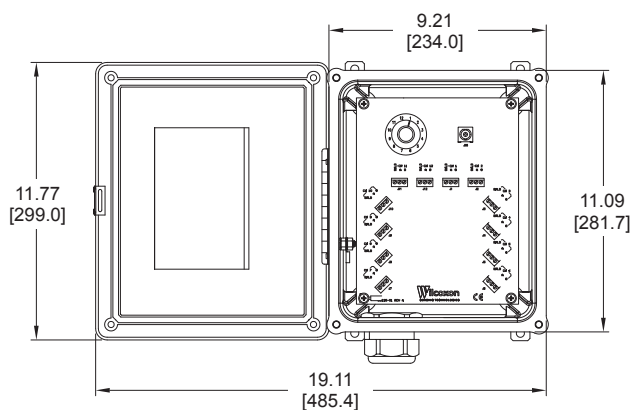
## VLL series

### SPECIFICATIONS

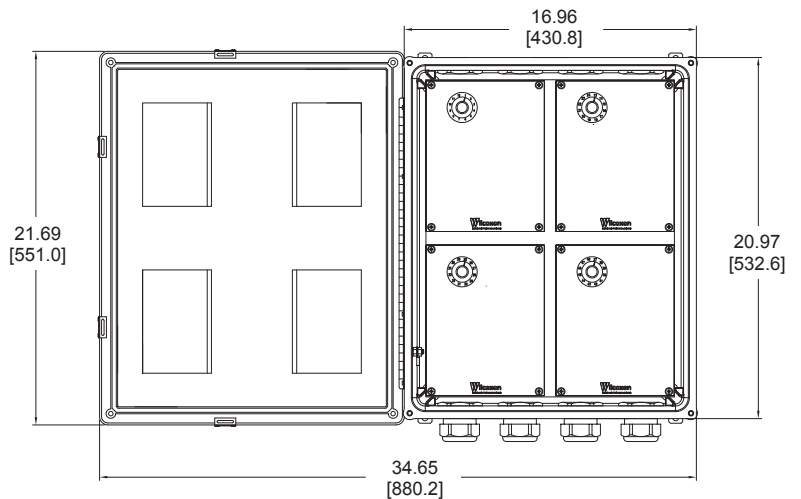
<b>Channels, user-selected</b>	6, 12, 24, 36, 48
<b>Output connector</b>	BNC
<b>Material, user-selected</b>	fiberglass or stainless steel
<b>Dimensions</b>	10 x 8 x 4 in. (6-12 channels, non-expandable) 20 x 16 x 8 in. (12-48 channels, expandable)
<b>Hinge</b>	stainless steel continuous weld
<b>Latch</b>	stainless steel butterfly knob
<b>Cable interface, user-selected</b>	cable grips or conduit
<b>Terminal block connectors</b>	3 positions per channel
<b>Rating:</b>	
<b>fiberglass</b>	NEMA 4X/IP66
<b>stainless steel</b>	NEMA 4/IP66
<b>Mounting</b>	Pole or wall mountable using four-corner stainless steel feet (fiberglass models include configurable feet)
<b>Sensor support</b>	IEPE
<b>Channel selector</b>	12 position dial switch, differential switching

**Accessories supplied:** Transducer location log; mounting feet; grounding lug; cable grip plugs (if applicable)

Standard size, 6-12 channels



Expandable size, 12-48 channels



Note: Due to continuous process improvement, specifications are subject to change without notice.  
This document is cleared for public release.