

Mid-frequency vector sensor

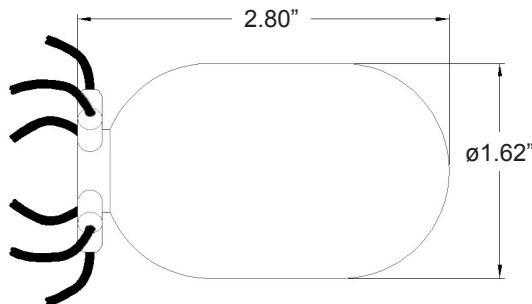
VS-209

SPECIFICATIONS

Output sensitivity:	
Accelerometer	1.5 V/g
Hydrophone	-164 dB re 1.0 V/ μ Pa
Full scale input range:	
Accelerometer	1.0 g peak
Hydrophone	200 Pa peak
Frequency response, ± 3 dB	3.0 Hz - 7.0 kHz
Transverse sensitivity, max	5%
Temperature accuracy	$\pm 1.0^\circ\text{C}$
Power requirement:	
Voltage	6.8 - 12.0 VDC
Current, nominal	40 mA
Output type, differential	2.5 V bias
Output impedance, max	100 Ω
Pressure range:	
Operational, max	1,500 psi
Absolute max	2,500 psi
Operating temperature	-10° to $+60^\circ\text{C}$
Diameter	1.62 in.
Length	2.80 in.
Buoyancy in water	-65%
Weight, without cables	95 grams
Cable¹	6 cables, 15 ft. each
External material	polyurethane

Notes: ¹ Cable: twisted, shielded pair, polyurethane jacket.

Options: Connector; cable length



Key features

- Three orthogonal axis accelerometers and one omnidirectional hydrophone
- Four channel combination provides an approximately 4.8 dB improvement in signal to noise ratio
- Pitch and roll, heading, temperature, health check
- Pre-amplifier and differential output
- Micro-controller with RS485 link
- Manufactured in ISO 9001 facility

Pin out		
Cable	Lead color	Function
X	white black shield	X SIG + X SIG - X SHIELD
Y	white black shield	Y SIG + Y SIG - Y SHIELD
Z	white black shield	Z SIG + Z SIG - Z SHIELD
H	white black shield	H SIG + H SIG - H SHIELD
DIG	white black shield	DIG + DIG - DIG SHIELD
PWR	white black shield	PWR + PWR - PWR SHIELD

Note: Due to continuous process improvement, specifications are subject to change without notice. This document is cleared for public release.