

4-20 mA vibration transmitter modules

iT150 series

SPECIFICATIONS

INPUT

Sensor types	IEPE accelerometers, IEPE piezovelocity transducers, IEPE dual output (vibration and temperature) sensors
Sensor sensitivities accepted:	
Accelerometer	10, 100, 500 mV/g
Piezovelocity	10, 100, 500 mV/ips
Dual output ¹	10 mV/°C
Frequency response:	
Acceleration ²	0.2 Hz - 20 kHz (-3 dB, -0.1 dB)
Velocity	0.2 Hz - 5 kHz
Sensor powering:	
Open circuit voltage	24 VDC, ±5%
Constant-current	4.5 mA, ±20%
Maximum dynamic signal input, for linear response	20 Volts peak-to-peak
OUTPUT, 4-20 mA loop current	
Full scale, ±2%	see Ordering Information on page 2
Output type	true RMS, equivalent peak, equivalent peak-peak, true peak
Maximum 4-20 mA loop load resistance	500 Ω
Accuracy	±0.2% of full scale
Turn on time	< 30 seconds
OUTPUT, buffered dynamic	
Gain, RTI sensor	1.0 ±2%
Noise RTO, broadband, 1 Hz - 10 kHz, RMS	≤0.0001 Volts
Output type	DC-coupled
ENVIRONMENTAL	
Power:	
Voltage (Vin)	11 - 32 VDC
Current draw	158 mA at 24 VDC (3.8 watts max)
Temperature, operating, ambient	-40° to +70°C
PHYSICAL	
Mounting	snap into 35 mm DIN rail
Dimensions:	
Width	22.5 mm (0.86")
Depth (front of BNC to back of DIN rail)	127 mm (4.98")
Height	100 mm (3.90")



Key features

- Temperature measurement
- Slim 22.5 mm case
- Front panel BNC for dynamic signal output
- Manufactured in ISO 9001 facility

For dimensions and ordering information, see page 2.

For system architecture, see page 3.

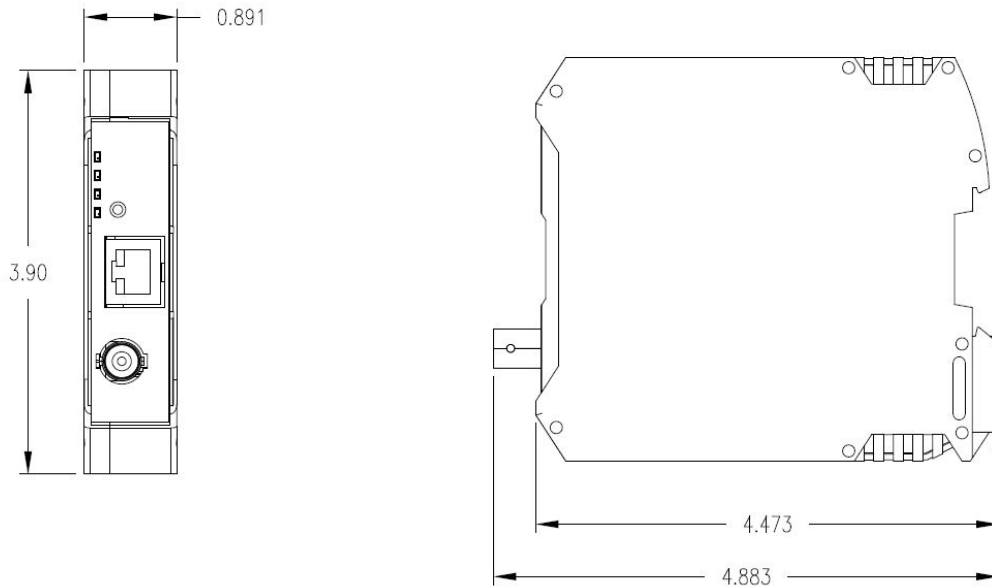
Notes: ¹ Compatible with Wilcoxon models 786T and 787T (measurement range: 0° to 120°C, input signal: 0 - 1.2 VDC).

² True peak frequency response: 10 Hz to 25 kHz.



Note: Due to continuous process improvement, specifications are subject to change without notice. This document is cleared for public release.

Dimensions



Ordering information – part numbers

Detector type	
RMS	True RMS
P	Peak (equiv.)
PP	Peak-to-peak (equiv.)
TP*	True peak (10-25,000 Hz)

Units	
g	g
ips	ips
mils**	mils
m/s/s	m/s ²
mm/s	mm/s
mm**	mm

Full scale	
1, 5, 10, 20, 30, 50 (g)	50, 100, 200, 300, 500 (m/s ²)
0.5, 1, 2, 3, 5 (ips)	15, 20, 25, 30, 45, 50, 100 (mm/s)
10, 20, 25, 100 (mils)**	0.2, 0.5, 1, 2, 3, 4, 5 (mm)**

iT150 - [] - [] - [] - [] - [] - [] - [] - []

Input type	
A	Acceleration
V	Velocity

Sensitivity	
10	mV/g, mV/ips
100	
500	

Output type	
A	Acceleration
V	Velocity
D**	Displacement

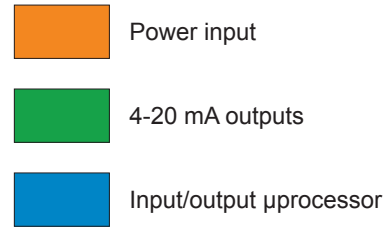
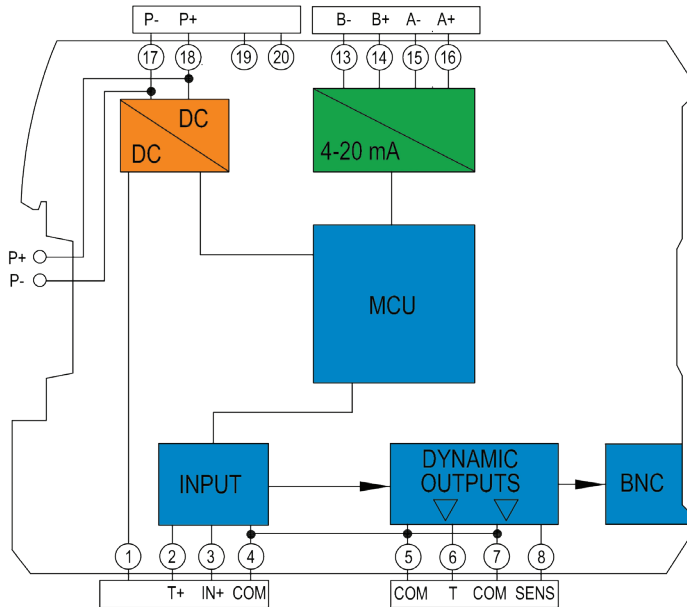
Detector type	Output type	F _{MIN} (Hz) - F _{MAX} (Hz)
RMS Peak Peak-to-peak	A, V, D**	0.2 – 200
	A, V, D**	0.5 – 500
	A, V	1 – 1,000
	A, V	2 – 2,000
	A, V	5 – 5,000
	A	10 – 10,000
True peak*	A	20 – 20,000
	A	10 – 25,000

F_{MIN} fixed with F_{MAX}
(select desired frequency range)

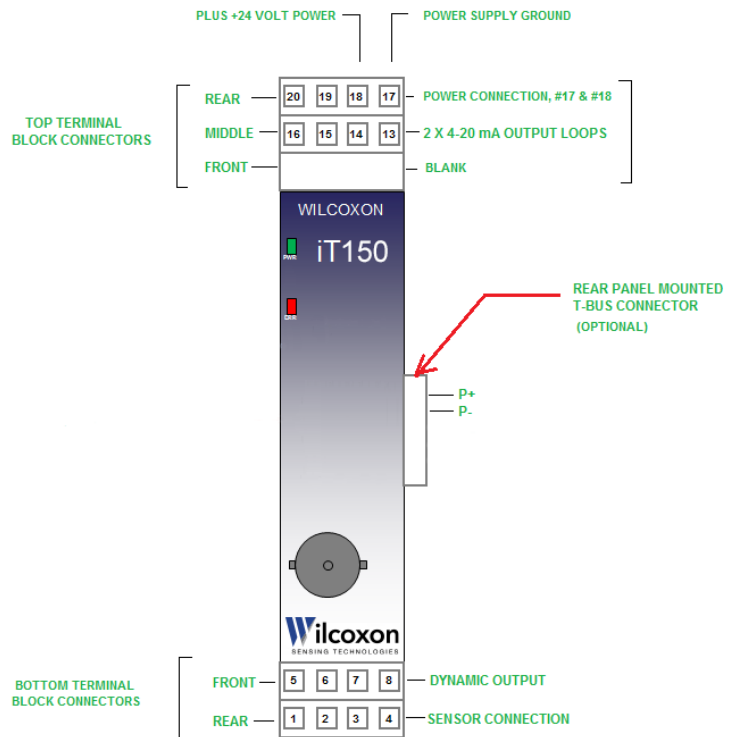
Notes:
 * True peak detection option available for Input/Output type "A" only.
 ** Displacement output option available for Input type "V" only.

Note: Due to continuous process improvement, specifications are subject to change without notice. This document is cleared for public release.

System architecture



IO Port	Terminal numbers and signal assignments
Vibration sensor	1 - No connection
	2 - Temperature sensor (in T+)
	3 - Signal in / Sensor Power (IN+)
	4 - Circuit common (COM)
Temperature dynamic output	5 - Circuit common (COM)
Sensor dynamic output	6 - Temperature out (T)
	7 - Circuit common (COM)
4-20 mA Loop B Temperature	8 - Sensor out (SENS)
	13 - B-
4-20 mA Loop A Vibration	14 - B+
	15 - A-
Power input	16 - A+
	17 - P-
Not used	18 - P+
	19
	20



Note: Due to continuous process improvement, specifications are subject to change without notice. This document is cleared for public release.