

TEDS general purpose accelerometer

ED-787A

SPECIFICATIONS

Sensitivity, $\pm 10\%$, 25°C		100 mV/g
Acceleration range		80 g peak
Amplitude nonlinearity		1%
Frequency response:	$\pm 10\%$	1 - 5,000 Hz
	± 3 dB	0.5 - 10,000 Hz
Resonance frequency		22 kHz
Transverse sensitivity, max		5% of axial
Temperature response:	-50°C	-5%
	+120°C	+5%
Power requirement:		
Voltage source		18 - 30 VDC
Current regulating diode		2 - 10 mA
Electrical noise, equiv. g:		
Broadband	2.5 Hz to 25 kHz	700 μ g
Spectral	10 Hz	10 μ g/ \sqrt Hz
	100 Hz	5 μ g/ \sqrt Hz
	1,000 Hz	5 μ g/ \sqrt Hz
Output impedance, max		100 Ω
Bias output voltage		12 VDC
Grounding		case isolated, internally shielded
Temperature range¹		-50° to +120°C
Vibration limit		500 g
Shock limit, min		5,000 g
Electromagnetic sensitivity, equiv. g, max		70 μ g/gauss
Sealing		hermetic
Base strain sensitivity, max		0.002 g/ μ strain
Sensing element design		PZT ceramic / shear
Weight		150 grams
Case material		316L stainless steel
Mounting		1/4-28 captive hex head screw with 0.046" dia. safety wire hole
Output connector		2 pin, MIL-C-5015 style
Mating connector		R6 type
Recommended cabling		J10 / J9T2A

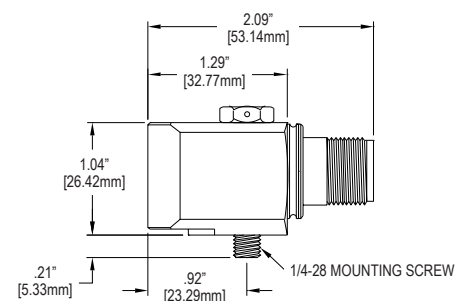
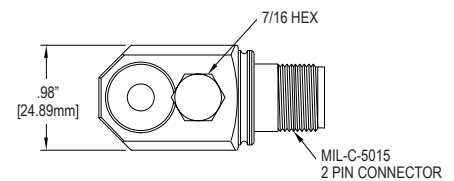
Notes: ¹ Temperature range is limited to -40°C to +85°C when using the IEEE 1451 - TEDS function.

Accessories supplied: TEDS calibration data; #80165-01 captive hex head screw



Key features

- Contains transducer electronic data sheet (IEEE 1451 - TEDS)
- Simplifies troubleshooting, reducing safety risks and cost
- Self-identifying
- Designed to integrate with wireless transmitters & receivers
- Manufactured in ISO 9001 facility



Note: Due to continuous process improvement, specifications are subject to change without notice. This document is cleared for public release.

Connections		
Function	Connector pin	Cable conductor color
power/signal	A	white
common	B	black
ground	shell	shield