

Piezoelectric shaker

F7-1

SPECIFICATIONS

Usable frequency range ¹	1 - 80 kHz
Blocked force output, 360 V rms input	10 lb peak
Maximum input voltage	800 V rms
Capacitance	6.4 nF
Operating temperature, max	82°C
Weight	2.8 lb
Contact area	1.50" diameter
Input connector	R4M, 3 pin, bayonet
Cables supplied	R4-4M-J9-10

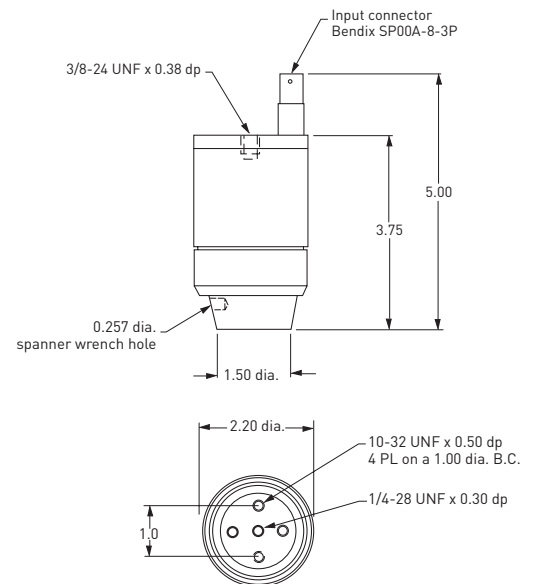
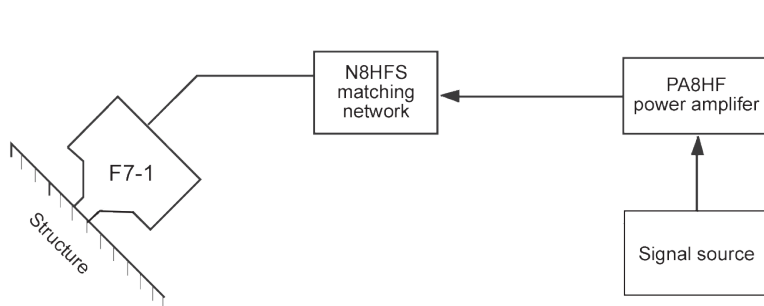
Notes: ¹ Even though the PA8HF is capable of operating above 80,000 Hz, powering the shaker above this frequency can potentially damage the shaker, amplifier and/or matching network. Operating the shaker above 80,000 Hz will void the warranty.



Key features

- Reaction-type shaker generates very large dynamic forces to very high frequencies
- Can be stud-mounted in any position without external support
- Manufactured in ISO 9001 facility

Recommended system diagram



Note: Due to continuous process improvement, specifications are subject to change without notice. This document is cleared for public release.