

Piezoelectric vibration generator

F7

SPECIFICATIONS

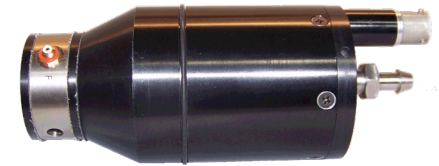
Usable frequency range	500 to >20,000 Hz
Blocked force output¹	see graph on page 2
Maximum input	800 V rms
Maximum acceleration	1,000 g
Capacitance	8.0 nF
Connector²	Bendix PT06A-8-3P
Cable (shaker drive cable)	R4-4M-J9-10
Accelerometer nominal values:	
Charge sensitivity	9 pC/g (0.92 pC/m/s ²)
Voltage sensitivity³	13 mV/g (1.33 pC/m/s ²)
Capacitance³	700 pF
Frequency range, ±3 dB	10 - 20,000 Hz
Connector²	Microdot 10-32
Cable (low noise, coaxial)	R1-1-J1-6
Force gage nominal values:	
Charge sensitivity	175 pC/lb (40 pC/N)
Capacitance³	2 µF
Connector²	Microdot 10-32
Cable (low noise, coaxial)	R1-1-J1-6
Mass below force gage (including stud)	20 grams
Effective stiffness	3 x 10 ⁸ lb/in (5.2 x 10 ⁹ N/m)
Diameter of mounting surface	0.63 in. (16.2 mm)
Mounting stud, stainless steel	3/8-16 UNC
Recommended screw down torque	100 lb/in (11 N/m)
Temperature range	-50° to +80°C
Base material	titanium
Weight	2.5 lb (1.1 kg)

Notes: ¹ Blocked force output refers to the force output against a mass of infinite mechanical impedance.

² Refers to connector at the end of cable.

³ Measured at the end of the supplied cable, 30 pF/ft.

Accessories supplied: All input and output cables; mounting stud; spanner wrench; adaptor cable



Key features

- Reaction-type shaker generates very large dynamic forces to very high frequencies
- Can be stud-mounted in any position without external support
- Designed to mate with the F4 shaker to extend low-frequency range down to 10 Hz
- Manufactured in ISO 9001 facility

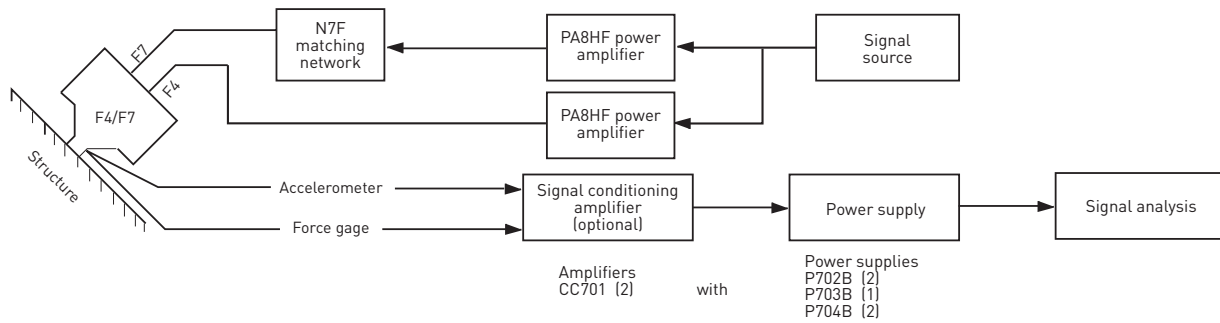
See reverse for dimensions, graphs and system diagram.

Note: Due to continuous process improvement, specifications are subject to change without notice.
This document is cleared for public release.

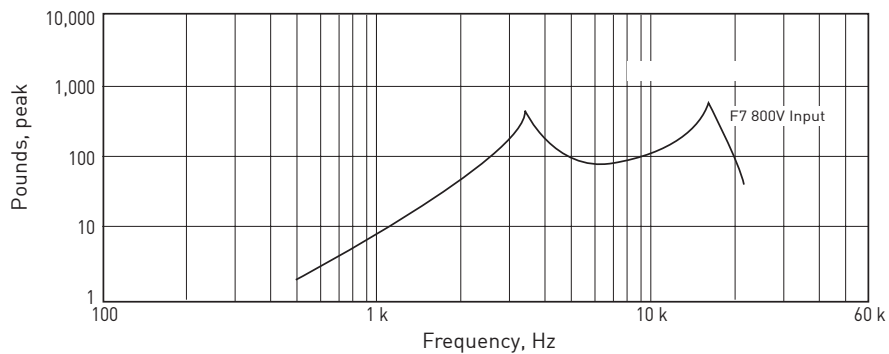
Piezoelectric vibration generator

F7

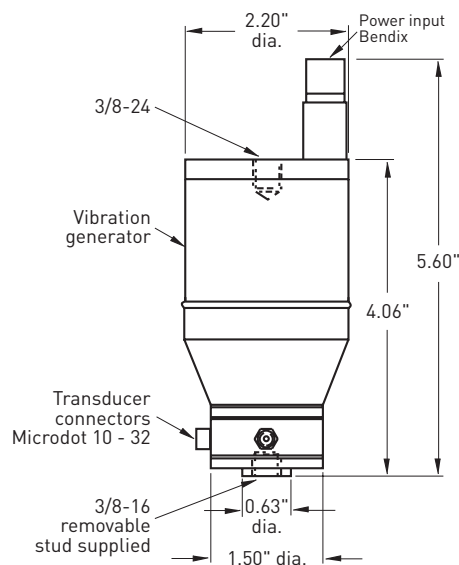
Recommended system diagram



Typical blocked force output



Dimensions



Note: Due to continuous process improvement, specifications are subject to change without notice.
This document is cleared for public release.