

# General purpose hydrophone

## H505FN

# PRELIMINARY

### SPECIFICATIONS

<b>Output sensitivity</b>	-167 dB re 1V/ $\mu$ Pa
<b>Amplifier gain</b>	19 dB, max
<b>Frequency response:</b>	
<b><math>\pm 3</math> dB</b>	1 Hz - 15 kHz
<b>Omnidirectional</b>	1 Hz - 10 kHz
<b>Maximum operating depth</b>	650 meters
<b>Maximum temperature</b>	+80°C
<b>Output impedance</b>	TBD $\Omega$
<b>Supply voltage</b>	24 VDC
<b>Current, max</b>	10 mA
<b>Bias output voltage, nominal</b>	TBD V
<b>Cable<sup>1</sup></b>	twisted, shielded pair
<b>Jacket material</b>	polyurethane
<b>Weight in air (without cable, connector)</b>	250 grams, max



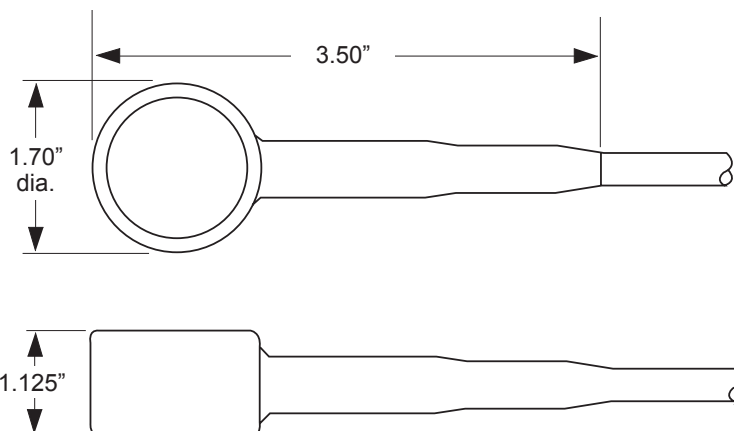
### Key features

- Ultra low noise internal amplifier
- Designed for a wide variety of underwater acoustic measurements
- Manufactured in ISO 9001 facility

**Notes:** <sup>1</sup> Cable length specified by customer at time of order.

**Available underwater connectors:** R12 (Brantner RMK-6-MP); R13 (Brantner AWM-6-MP)

**Available locking rings:** LP = plastic locking sleeve for R12 or R13; LS = stainless steel locking sleeve for R12 or R13



# PRELIMINARY

Note: Due to continuous process improvement, specifications are subject to change without notice. This document is cleared for public release. Product may be subject to US export controls and restrictions under the ITAR or the EAR, please consult factory for export control status.