

Accelerometer

FN8-6

SPECIFICATIONS

DYNAMIC (at 20°C)	
Measurement range	± 5 g
Sensitivity (100 Hz)	500 mV/g
Transverse sensitivity	< 3%
Nonlinearity, 5°C < T < 25°C	± 1% max (ref. 20°C), typically < 0.3%
Passband:	
at ± 10%	5 Hz - 10 kHz
at ± 3 dB	1 Hz - 16 kHz
Resonance frequency	> 25 kHz
ELECTRICAL (at 20°C)	
Power supply rejection	> 40 dB
Background noise:	
5 Hz - 10 kHz	< 0.1 mg
1/3 octave from 10 Hz to 1 kHz	< 0.02 mg
Power requirement:	
Voltage source	18 - 30 VDC
Current regulating diode	2 - 10 mA
Bias output voltage, nominal	9.5 VDC
Insulation (electronics to case)	50 MΩ, min.
Grounding	case isolated, case connected to outer shield
ENVIRONMENTAL	
Base strain sensitivity	< 0.75 g for 250 μstrain
Acoustic sensitivity	< 0.1 mg
100 dB SPL 1/3 octave	
100 Hz - 10 kHz	
Sensitivity to environment:	
Magnetic (B = 0.75 mT)	< 2 mg
Magnetic (per IT 8839)	< 10 μV, typical
Pressure (700 < P < 1300 mB)	< 0.1 mg
Shock max (half sine, 0.5 ms)	5,000 g
PHYSICAL	
Cable	shielded, twisted pair, halogen-free
Mounting	see drawing on reverse
Dynamic mass	120 grams, nominal
Case material	316L stainless steel

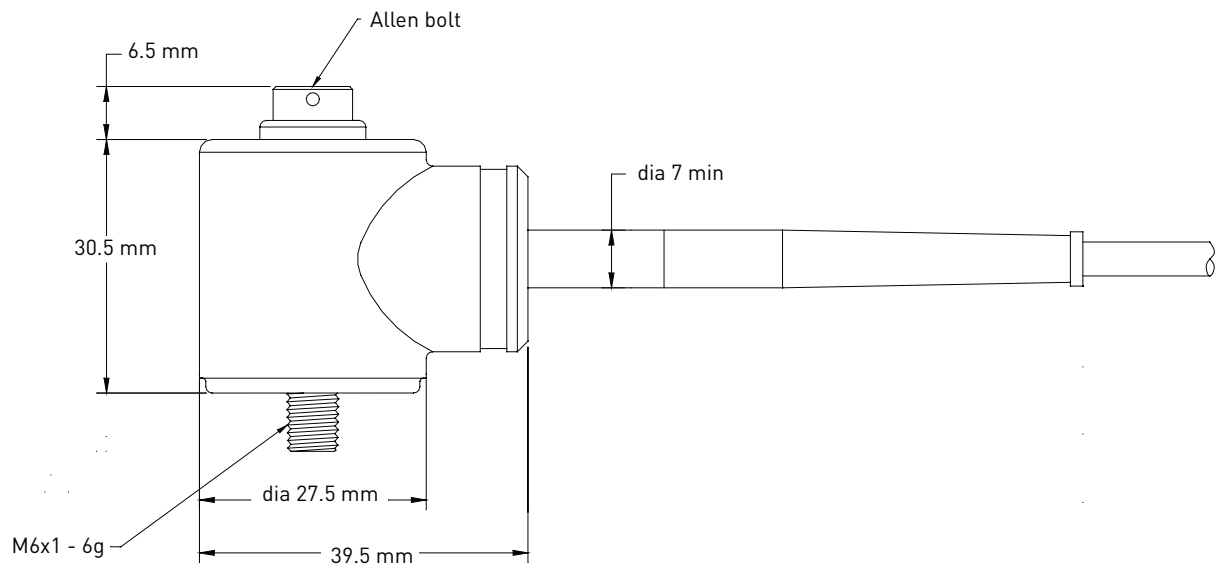
See reverse for dimensions.

Note: Due to continuous process improvement, specifications are subject to change without notice.
 This document is cleared for public release. Product may be subject to US export controls and restrictions under the ITAR or the EAR, please consult factory for export control status.

Accelerometer

FN8-6

Dimensions



Note: Due to continuous process improvement, specifications are subject to change without notice.
This document is cleared for public release. Product may be subject to US export controls and restrictions under the ITAR or the EAR, please consult factory for export control status.