

High frequency, deep ocean vector sensor

DVS-100

PRELIMINARY

SPECIFICATIONS

DYNAMIC

Output sensitivity:

Accelerometer	400 mV/g
Hydrophone	-178 dB re 1V/ μ Pa

Full scale input range:

Accelerometer	2.5 g peak
Hydrophone	TBD

Resonance frequency (typ.) 15 kHz

Frequency response 1 - 7,000 Hz

Transverse sensitivity, max 5.0%

ELECTRICAL

Power requirements:

Voltage	6.5 - 9.0 VDC
Current	15 mA

Output type 2.0 - 3.5 V bias, single ended

Output impedance 100 Ω

ENVIRONMENTAL

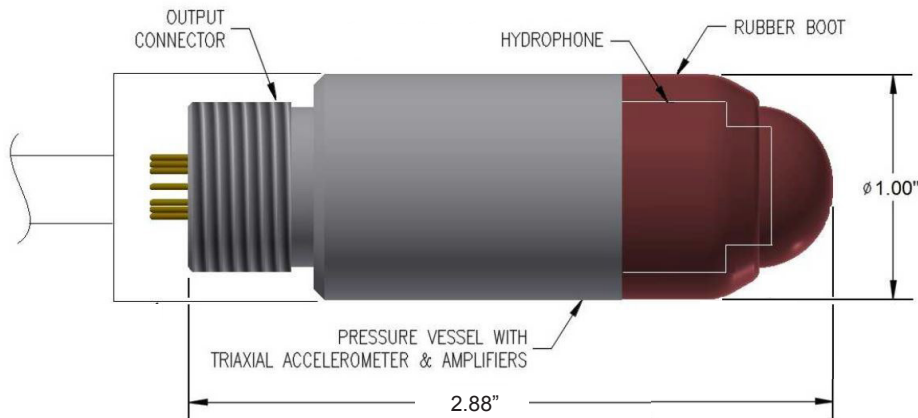
Operating temperature 0°C to 50°C

Operating pressure 10,000 psi



Configuration

- Three orthogonal axis accelerometers and one omni-directional hydrophone
- Hydrophone oil-compensated design with mechanical high-pass filter
- High frequency triax and analog amplifiers integrated inside pressure vessel



PRELIMINARY

Note: Due to continuous process improvement, specifications are subject to change without notice.