

# Vector sensor mounting system

## VSM-302B-xx

SPECIFICATIONS	VSM-302B-BE	VSM-302B-SE
Material		polyurethane outer shell
Weight	7.05 lbs	7.5 lbs
Dimensions (L x W x H)	10.75 x 4.00 x 4.86 in See reverse for drawing	11.39 x 4.00 x 4.86 in See reverse for drawing
Mounting hardware provided	(2X) cap screw, SS316, 5/16-18 x 1.75 long (2X) flat washer, SAE, SS316, #5/16 (2X) split lock washer, SS316, #5/16	(3X) cap screw, SS316, 5/16-18 x 2.00 long (3X) flat washer, SAE, SS316, #5/16 (3X) split lock washer, SS316, #5/16 (3X) hex nut, SS316, 5/16-18
Output connector	SEACON MINI-CON series	
Connector location	bottom	side

### Key features

- System for mounting VS302 vector sensors in underwater vehicular applications
- Reduces unwanted vibrations from the vehicle
- Protects the sensor from underwater debris and fouling
- Mounts directly to the underwater vehicle in a flat location
- Can be fitted with a custom adapter to match curved surfaces; adapter must be designed with end user input



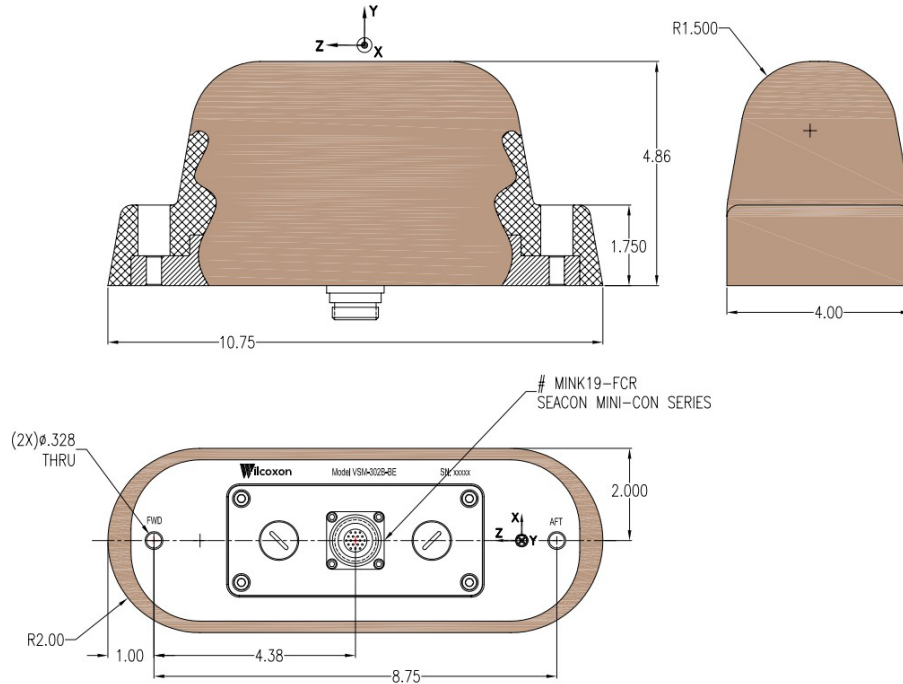
Note: Due to continuous process improvement, specifications are subject to change without notice. This document is cleared for public release. Product may be subject to US export controls under the ITAR or the EAR. Please consult factory for export control status.

# Vector sensor mounting

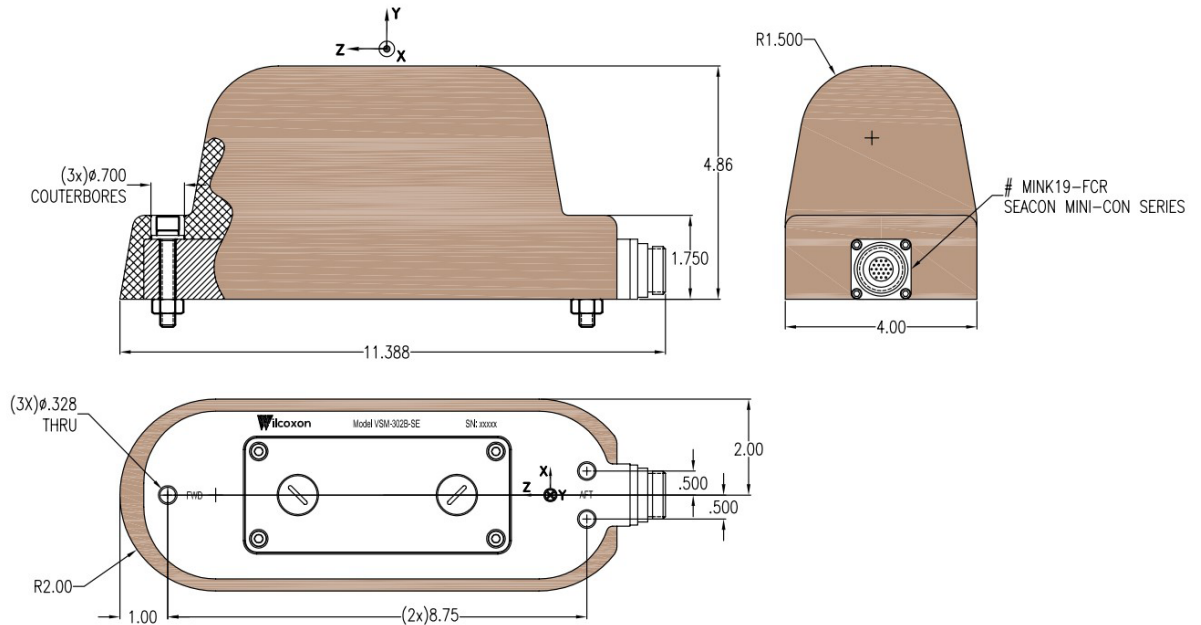
## VSM-302B-xx

### DIMENSIONAL DRAWINGS

#### VSM-302B-BE



#### VSM-302B-SE



Note: Due to continuous process improvement, specifications are subject to change without notice. This document is cleared for public release. Product may be subject to US export controls under the ITAR or the EAR. Please consult factory for export control status.