

Reduction box

RB series

SPECIFICATIONS

Channels, user-selected	16 or 32
Material, user-selected	fiberglass or stainless steel
Dimensions	10 x 8 x 4" (non-expandable) 20 x 18 x 8" (expandable)
Hinge	stainless steel continuous weld
Latch	stainless steel butterfly knob
Input/output fittings, user-selected	cable grips or conduit
Terminal block connectors	3 positions per channel, removable
Rating:	
Thermoplastic	NEMA 4X/IP66
Stainless steel	NEMA 4/IP66
Mounting	4 configurable stainless steel feet, supplied



Key features

- Water- and dust-tight
- For use with 3-wire connected sensors
- Manufactured in ISO 9001 facility



See reverse for dimensions and diagrams.

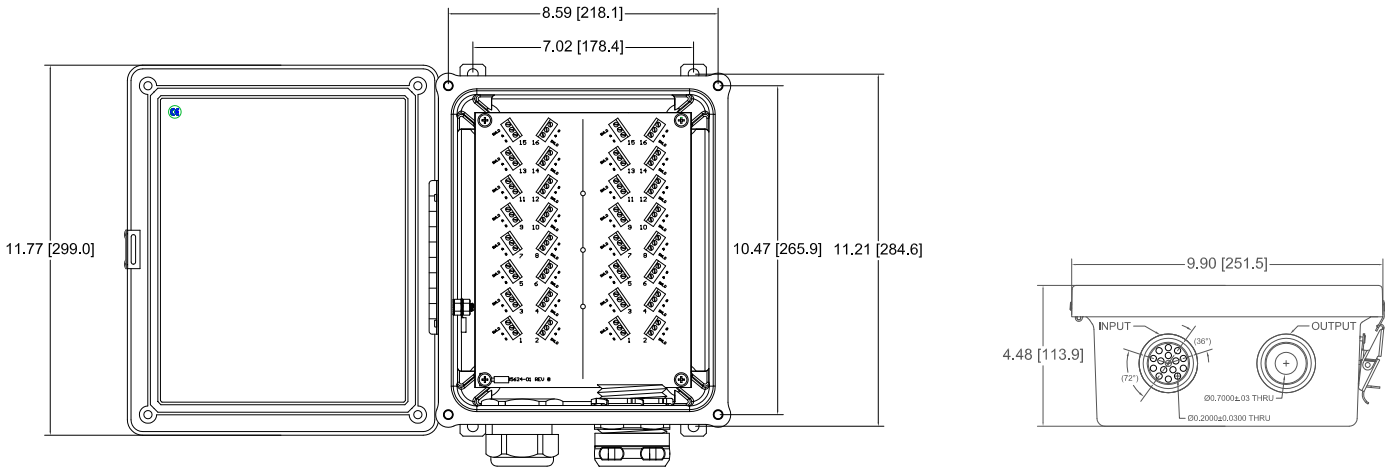
Available models				
Channels	Size (in.)	Material	Outputs	Model number
16	10x8x4"	fiberglass	cable grips	RB16BFG
			conduits	RB16BFC
		stainless steel	cable grips	RB16BSG
			conduits	RB16BSC
	20x16x8"	fiberglass	cable grips	RB16EFG
			conduits	RB16EFC
stainless steel		cable grips	RB16ESG	
		conduits	RB16ESC	
32	20x16x8"	fiberglass	cable grips	RB32EFG
			conduits	RB32EFC
		stainless steel	cable grips	RB32ESG
			conduits	RB32ESC

Note: Due to continuous process improvement, specifications are subject to change without notice.
This document is cleared for public release.

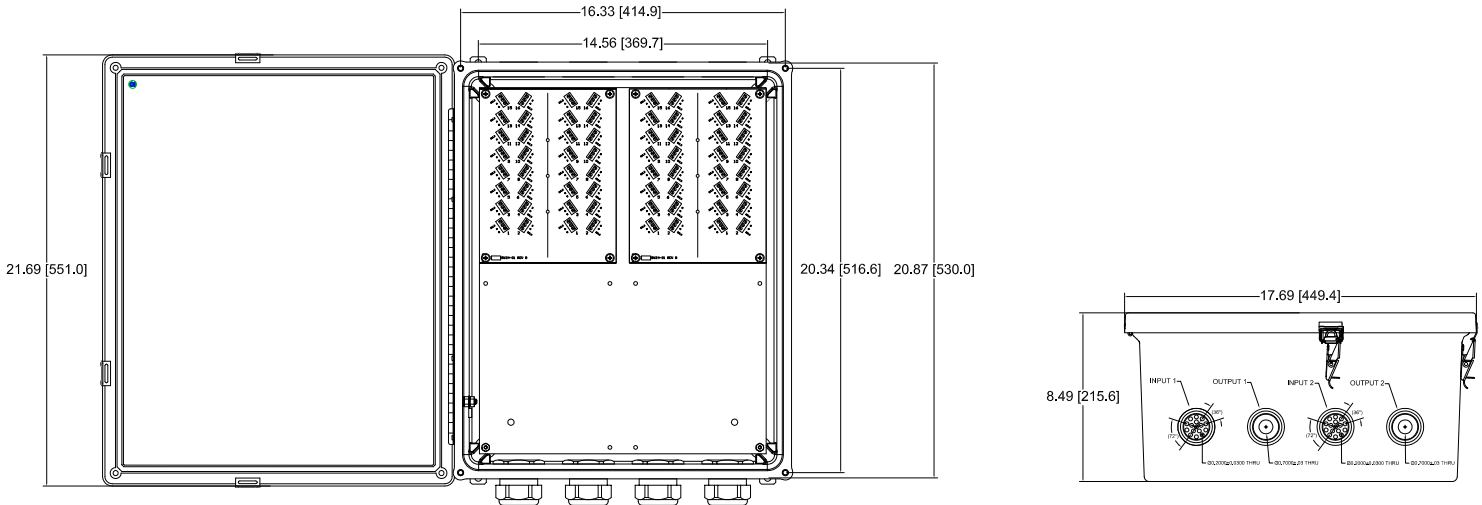
Reduction box

RB series

10 x 8 x 4" model (16 channels, non-expandable)



20 x 16 x 8" model (16 or 32 channels, expandable)



Note: Due to continuous process improvement, specifications are subject to change without notice.
This document is cleared for public release.