

Piezovelocity transducer

793V-35

SPECIFICATIONS

Sensitivity, $\pm 5\%$¹, 25°C		100 mV/in/sec
Velocity range		50 in/sec peak
Amplitude nonlinearity		2.5%
Frequency response:	$\pm 10\%$	6.0 - 3,500 Hz
	± 3 dB	4.5 - 7,000 Hz
Resonance frequency, mounted, nominal		15 kHz
Transverse sensitivity, max		5% of axial
Temperature response:	-50°C	-5%
	+80°C	+3%
	+120°C	-5%
Power requirement:	Voltage source	18 - 30 VDC
	Current regulating diode	2 - 10 mA
Electrical noise, equiv. in/sec, nominal:		
Broadband	2.5 Hz to 25 kHz	150 μ in/sec
Spectral	10 Hz	25 μ in/sec/ $\sqrt{\text{Hz}}$
	100 Hz	1.5 μ in/sec/ $\sqrt{\text{Hz}}$
	1,000 Hz	1.0 μ in/sec/ $\sqrt{\text{Hz}}$
Output impedance, nominal 4 mA supply		200 Ω
Bias output voltage, nominal		12 VDC
Grounding		case isolated, internally shielded
Temperature range		-50° to +120°C
Vibration limit		250 g peak
Shock limit		5,000 g peak
Electromagnetic sensitivity, equiv. in/sec		50 μ in/sec/gauss
Sealing		hermetic
Base strain sensitivity		0.0005 in/sec/ μ strain
Weight		145 grams
Case material		316L stainless steel
Mounting		1/4-28 tapped hole
Output connector		2 pin, MIL-C-5015
Mating connector		R6
Recommended cabling		J9T2

Accessories supplied: SF6 mounting stud (metric mounting available); calibration data (level 3)

Certifications

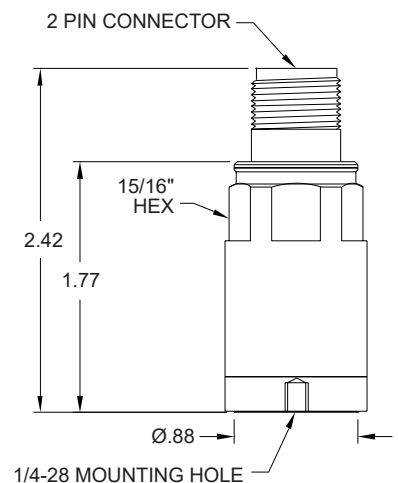


II 1 G
Ex ia IIC T4 Ga
Tamb: -50°C to 120°C



Key features

- ATEX certified Intrinsically Safe
- Manufactured in an ISO 9001 certified facility



Connections	
Function	Connector pin
power/signal	A
common	B

Note: Due to continuous process improvement, specifications are subject to change without notice. This document is cleared for public release.