

Three channel power units

P703B series

SPECIFICATIONS

	P703B	P703BT
Input:		
Voltage to transducer	27 VDC ¹	27 VDC ¹
Current to transducer	2.4 mA DC, ±20%	2.4 mA DC, ±10%
Maximum input voltage	10 V rms	10 V rms
Output impedance (sensor attached to input)	same as transducer	
Recommended load impedance	>100 kΩ	>100 kΩ
Decoupling capacitor (internal)	22 μF, 35 VDC	22 μF, 35 VDC
Gain	1:1 with DC decoupling	
Frequency response	same as transducer	
Channels	3	3
Channel separation	>80 dB	>60 dB
LED lights	>18 VDC	
Battery life ²	>40 hours	>40 hours
Batteries	9V alkaline (3)	
External power	24 to 30 VDC	
Temperature range	0° to +55°C	
Size (W x H x D)	3 x 2.4 x 4 inches	
Weight	0.84 lb	1.0 lb
Connectors:		Bendix POC2A-
Signal input	BNC	8-4P
Signal output	BNC	BNC (front panel)
Pin out (P703BT only)		A: y axis B: x axis C: z axis D: common/return

Notes: ¹ 25.2 VDC when using Ni-Cad batteries.

² For extended operation, the NC3 Ni-Cad battery kit should be used.

Accessories supplied: (3) 9V alkaline batteries

Accessories available: NC3 Ni-Cad battery kit; LA704B line adaptor (110V); LA704B-220 line adaptor (220V); BNC series adaptors



Key features

- Powers 3 separate sensors
- Can drive up to 50 ft. of cable
- Battery condition light
- Manufactured in an ISO 9001 facility

See reverse for operating instructions.

Models available	
P703B	standard model
P703BT	Bendix 4 pin connector

Note: Due to continuous process improvement, specifications are subject to change without notice. This document is cleared for public release.

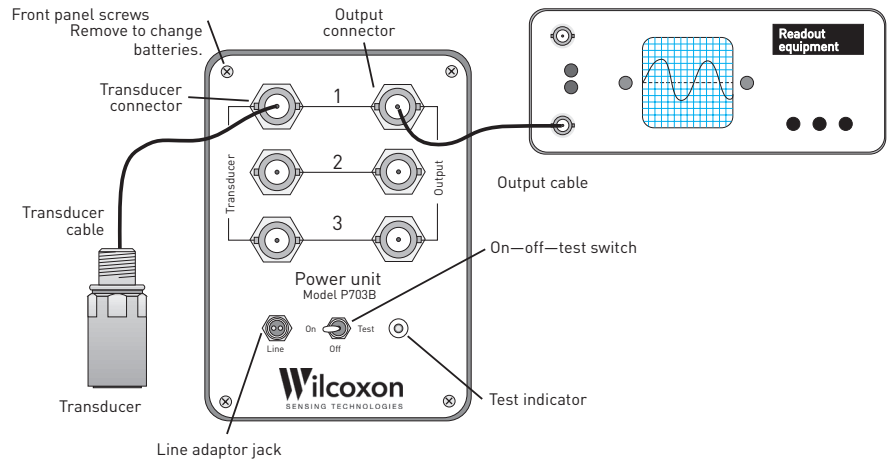
Three channel power units

P703B series

Operating instructions

1. To test batteries, press switch to RIGHT (momentary) position; LED should light.
2. OFF position is with switch in center.
3. To turn unit ON, press to LEFT.

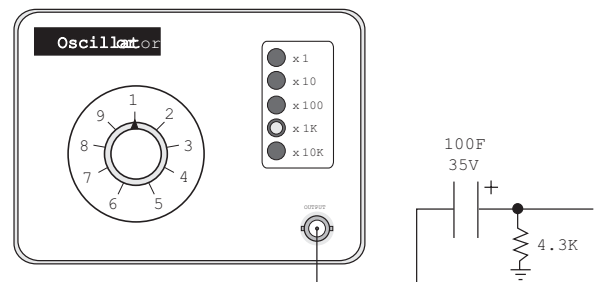
Use LA704B line adaptor to power unit from line voltage without batteries installed or to charge Ni-Cad batteries.



CAUTION: DO NOT ATTEMPT TO RECHARGE ALKALINES WITH THE LA704B.
Alkaline batteries may EXPLODE or leak corrosive fluids.

Test for proper operation

- Use a digital multimeter to verify that the proper voltage and current are available at the transducer connector.
- Substitute an oscillator for the transducer.
- Follow the connection to the power unit as shown at right.
- The unit should have unity gain.



Note: Due to continuous process improvement, specifications are subject to change without notice. This document is cleared for public release.