

Triaxial switchable junction boxes

VLT series

SPECIFICATIONS

Triaxial sensor inputs	6
Output connector	5 pin, M12
Material, user-selected	fiberglass or stainless steel
Dimensions	10 x 8 x 4 in., 1-6 channels
Hinge	stainless steel continuous weld
Latch	stainless steel butterfly knob
Input fittings, user-selected	cable grips or 5 socket M12 connectors
Terminal block connectors	screw type connectors, 5 positions per channel
Rating:	
fiberglass	NEMA 4X/IP66
stainless steel	NEMA 4/IP66
Mounting	4 stainless steel feet (fiberglass model includes configurable feet)
Sensor support	triaxial
Channel selector	6 position dial switch, differential switching

Accessories supplied: Transducer location log; mounting feet; grounding lug; cable grip plugs (if applicable)

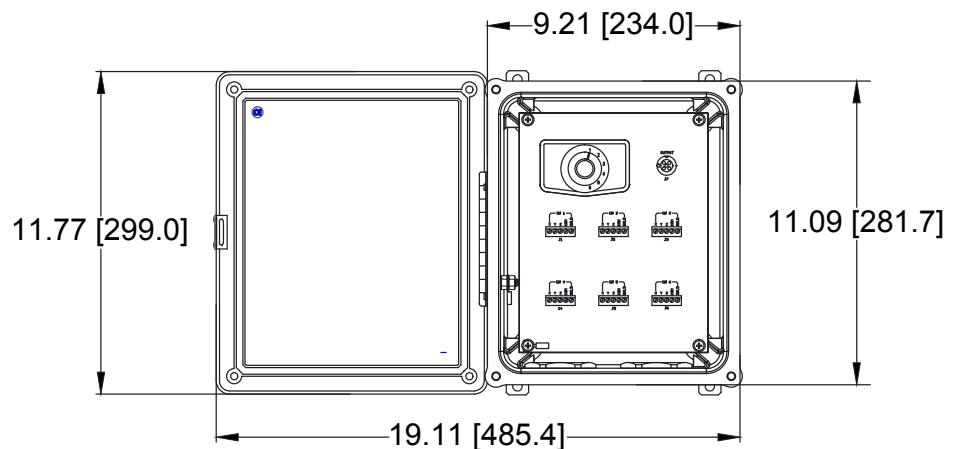


Key features

- For use with triaxial sensors
- Available with M12 connectors for use with data collectors
- Manufactured in ISO 9001 facility

Models available

Channels	Size	Material	Input connector	Model number
6	10 x 8 x 4 in.	Fiberglass	M12	VLT6FM12
			Cable grip	VLT6FG
		Stainless steel	M12	VLT6SM12
			Cable grip	VLT6SG



Note: Due to continuous process improvement, specifications are subject to change without notice. This document is cleared for public release.