

# General purpose accelerometers

## 777 and 777B

### SPECIFICATIONS

<b>Sensitivity, ±10%, 25°C</b>		100 mV/g
<b>Acceleration range</b>		80 g peak
<b>Amplitude nonlinearity</b>		1%
<b>Frequency response:</b>	<b>±3 dB</b>	0.5 - 12,000 Hz
<b>Resonance frequency</b>		30 kHz
<b>Transverse sensitivity, max</b>		5% of axial
<b>Temperature response:</b>	<b>-50°C</b>	-10%
	<b>+85°C</b>	+5%
<b>Power requirement:</b>		
<b>Voltage source</b>		18 - 30 VDC
<b>Current regulating diode</b>		2 - 10 mA
<b>Electrical noise, equiv. g:</b>		
<b>Broadband</b>	<b>2.5 Hz to 25 kHz</b>	700 µg
<b>Spectral</b>	<b>10 Hz</b>	10 µg/√Hz
	<b>100 Hz</b>	5 µg/√Hz
	<b>1,000 Hz</b>	5 µg/√Hz
<b>Output impedance, max</b>		100 Ω
<b>Bias output voltage</b>		12 VDC
<b>Grounding</b>		case isolated (>10 <sup>8</sup> Ω at 100V), internally shielded
<b>Temperature range</b>		-50° to +85°C
<b>Vibration limit</b>		500 g
<b>Shock limit, min</b>		5,000 g
<b>Electromagnetic sensitivity, equiv. g, max</b>		70 µg/gauss
<b>Sealing</b>		IP66
<b>Base strain sensitivity, max</b>		0.0005 g/µstrain
<b>Sensing element design</b>		PZT, shear
<b>Weight</b>		75 grams
<b>Case material</b>		stainless steel
<b>Mounting</b>		1/4-28 UNF tapped hole
<b>Output connector and mating connector</b>		see Connections table below
<b>Recommended cabling</b>		J10

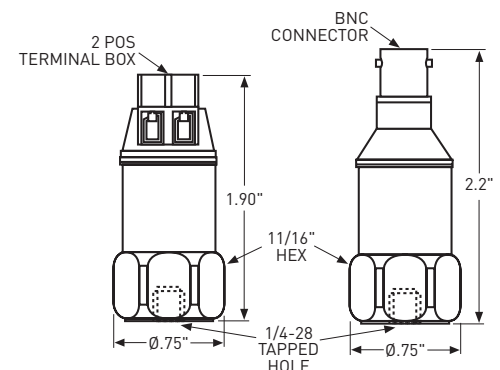
**Accessories supplied:** SF6 mounting stud; protective vinyl boot (777 only)

**Accessories available:** SF6M 1/4-28 to M8 adapting stud



### Key features

- Ground isolated
- Manufactured in ISO 9001 facility



Model 777

Model 777B



Connections				
Model	Connector pin	Power/Signal	Common	Mating connector
777	2-position terminal block	+	-	N/A
777B	BNC coaxial	center contact	shell	R2

Note: Due to continuous process improvement, specifications are subject to change without notice.  
This document is cleared for public release.