

Vibration transmitter switch

VSW-100

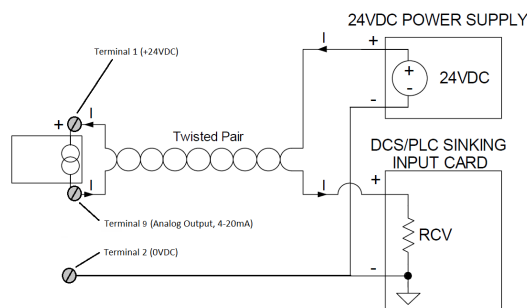
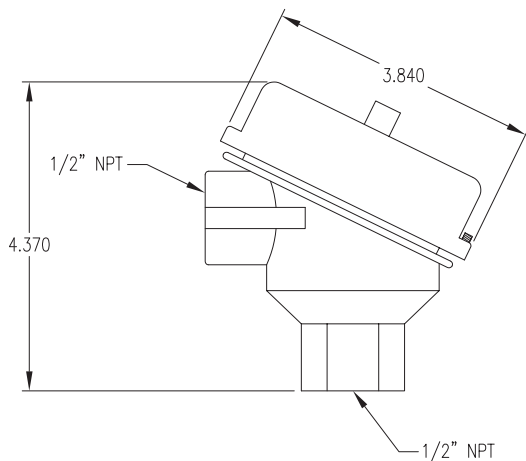
SPECIFICATIONS

Output, 4-20 mA:	
Velocity full scale, DIP switch selected	0.75, 1.5, 3.0 ips peak
Frequency range, ± 3 dB	4 - 640 Hz
Output, dynamic:	
Sensitivity, $\pm 10\%$	100 mV/g
Frequency response, $\pm 10\%$	5 - 1,000 Hz
Operating temperature	-30° to +85°C
Storage temperature	-30° to +95°C
Enclosure classification	IP68 housing
Sensor type, built-in	piezoelectric accelerometer
Power	20 - 30 VDC, 60 mA max
Electrical connectors	spring terminals, 16-24 AWG, standard
Output relays	2 C-type contacts, non-latching
Time delay	1 or 5 seconds, DIP switch selectable
Housing material	aluminum
Weight	1.5 lb (0.7 kg)
Shock limit	1,000 g peak



Key features

- Vibration velocity, 4-20 mA
- Acceleration time waveform
- Standalone machine monitoring
- Two individual relays for alarm or shutdown
- Separate output for raw acceleration signal enables detailed frequency analysis
- Manufactured in ISO 9001 facility



Terminal assignment		
1	PS	+24 VDC
2		0 VDC
3	Relay K1	NC
4		COM
5		NO
6	Relay K2	NC
7		COM
8		NO
9	Analog output 20 mA	
10	RAW Signal 100 mV/g	



Note: Due to continuous process improvement, specifications are subject to change without notice.
This document is cleared for public release.